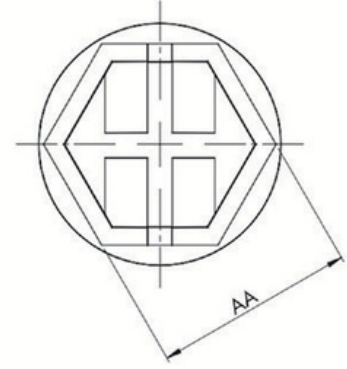
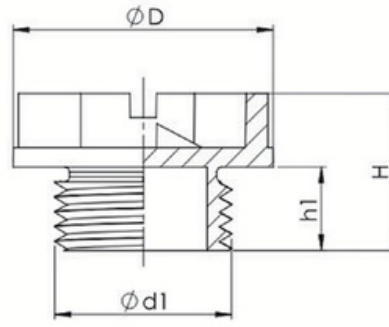


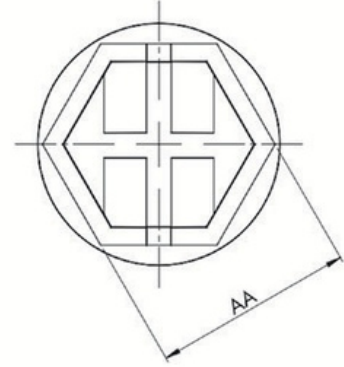
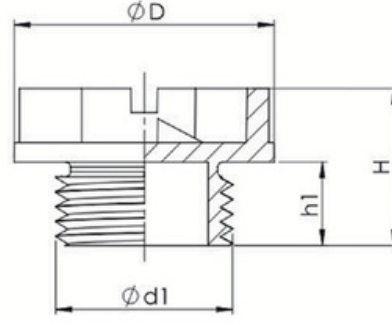
MALZEME / MATERIAL : PE (POLYETHYLENE)

ÖLÇÜ (mm) / DIMENSION (mm)						
KOD / CODE	GAZ / GAS	AA	D	d1	H	h1
100105	G1/4	16,40	20,90	12,50	16	8,5
100110	G3/8	15,80	21,30	16,15	16	8,5
100115	G1/2	21,50	28,90	20	19,20	11,20
100120	G3/4	24,40	32,30	25,80	17,70	10,50
100125	G1	29,50	39	32	21,30	11,70
100130	G1 1/4	36,50	48	40,10	22,60	13,50
100135	G1 1/2	41,40	55	46,30	22,60	13



MALZEME / MATERIAL : PE (POLYETHYLENE)

ÖLÇÜ (mm) / DIMENSION (mm)						
KOD / CODE	METRİK / METRIC	AA	D	d1	H	h1
100205	M10x1	15,80	21,30	9,6	14,50	7,20
100210	M12x1	15,80	21,30	11,70	14,50	7,20
100215	M12x1,5	15,80	21,30	11,50	15,70	8,5
100220	M14x1,5	15,80	21,30	13,,50	15,70	8,5
100225	M16x1,5	15,80	28,90	15,50	15,70	8,50
100230	M18x1,5	21,50	28,90	18,20	19,20	10,90
100235	M20x1,5	21,50	28,90	19,40	19,20	11,20
100240	M22x1,5	21,50	28,90	21,80	18	10,20
100245	M24x1,5	21,50	28,90	25,50	18	10,20
100250	M30x2	24	38	29	25	15
100255	M36x2	24	44	35	25	15
100260	M39x4	36,50	48	38	30	22
100265	M42x2	34	48	41	23	15
100270	M45x2	41,40	54,80	43,40	22,70	13
100275	M52x2	34	58	51	23	15



MALZEME / MATERIAL : PE (POLYETHYLENE)

ÖLÇÜ (mm) / DIMENSION (mm)						
KOD / CODE	UNF	AA	D	d1	H	h1
100305	7/16 - 20	15,73	21,08	10,82	14,25	7,25
100310	9/16 - 18	15,73	20,76	13,63	16,60	8,40
100315	3/4 - 16	21,50	28,90	18	19	11
100320	7/8 - 14	21,57	28,68	20,96	18,12	9,75